

P40 系列整体阀

P40 Series Monoblock Directional Control Valves

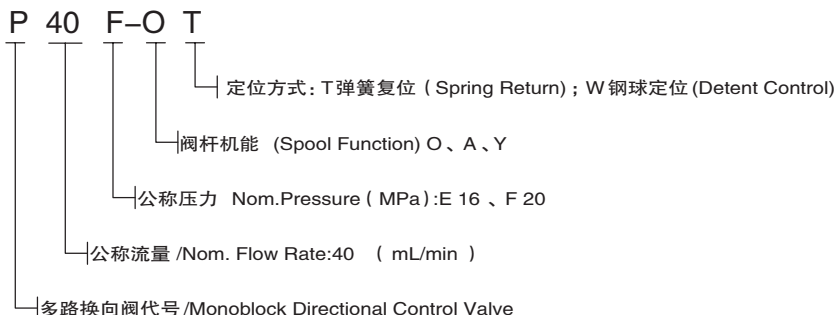
用途与特征/APPLICATIONS&FEATURES

P40系列整体式多路阀是我公司引进欧洲的一种中高压整体式多路阀。可按客户要求要求在阀上设溢流阀、单向阀。溢流阀可调节压力，单向阀防止油液倒流。换向阀的滑阀机能可有A,O,P,Y等，可任意组合，换向手柄有两种安装形式，便于不同方向的操作，该阀采用并联或者串联油路，设计有压力输出口与其他液压元件相连接提供动力源。经过特殊设计的密封方式，使阀的密封性能卓越。该阀广泛应用于叉车、环卫车辆、小型装载机 等工程机械的液压系统。



- ◆ P40 series valves with middle-high pressure monoblock construction is developed based on Europe technology.
- ◆ Inner check valve: The check valve inside the valve body is to insure the hydraulic oil not to be returned.
- ◆ Inner relief valve: The relief valve inside the valve body is able to adjust the hydraulic system working pressure.
- ◆ Oil way: Parallel circuit, power beyond option
- ◆ Control Way: Manual control, pneumatic control, hydraulic and electric control for optional.
- ◆ Valve construction: monoblock construction, 1-7 levers.
- ◆ Spool Function: O, Y, P, A.
- ◆ Option: Hydraulic lock is available to be added on A and B port.
- ◆ Available with manual, pneumatic control, electric and pneumatic control, hydraulic and electric control and etc.

型号说明/MODEL CODE



技术参数/PARAMETERS

公称压力 (MPa) Nom. Pressure	最大压力 (MPa) Max. Pressure	公称流量 (L/min) Nom. Flow rate	最大流量 (L/min) Max. Flow rate	中位背压 (MPa) Back Pressure	工作油液hydraulic oil		
					温度范围 (°C) Tem.rang	粘度范围 (mm2/S) Visc.rang	过滤精度 (μ m) filtrating accuracy
20	31.5	40	40	≤1	-20 ~ +80	10 ~ 400	≤10

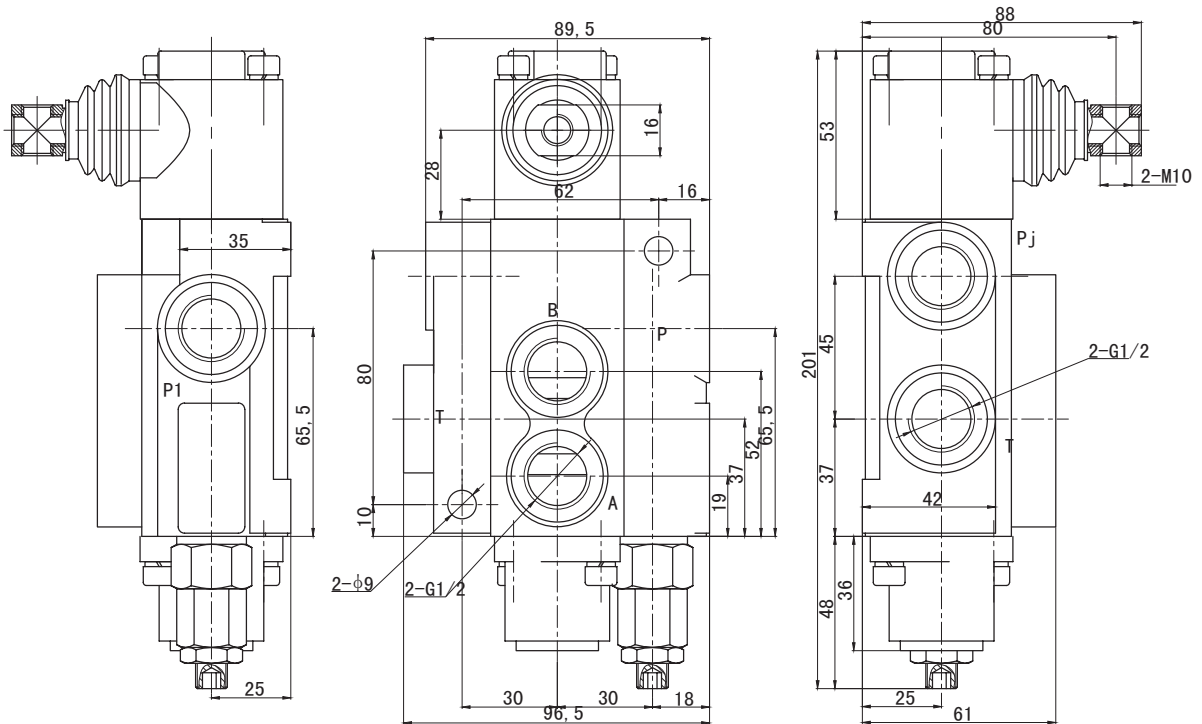
a1

P40系列整体阀 MDCV

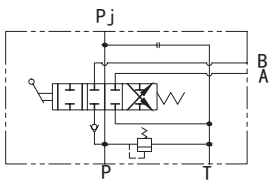
P40 系列整体阀

P40 Series Monoblock Directional Control Valves

P40外形安装连接尺寸/MODEL P40 DIMENSIONAL DATA



原理图



技术参数:

1. 公称压力 20MPa
3. 额定流量 40L/min

注: 订货有特殊要求者, 请与销售顾问联系。

Note: Special features not listed can often be made to your specifications. Please consult your sales representative.